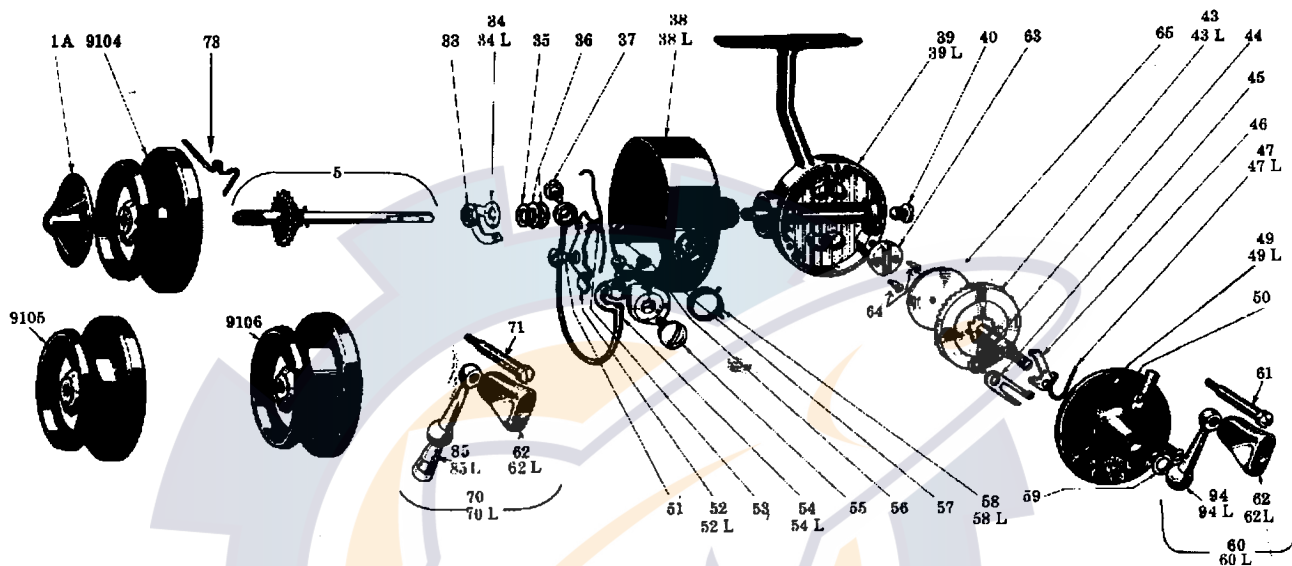


Garcia

MITCHELL 304-305



Red items for left-hand reels only.

No.	Part Name	Price	No.	Part Name	Price	No.	Part Name	Price
1A	Wing nut	.30	49L	Cover plate (305)	2.00	64	Slide screw	.05
5	Reel axle, complete	1.00	50	Cover plate screw	.05	65	Cross-wind cam	.25
33	Hex nut	.10	51	Trip lever screw	.10	70	Screw-lock handle, complete, 1/2" longer than standard (Accessory for 304)	1.50
34	Bail trip (304)	.25	52	Trip lever (304)	.25	70L	Screw-lock handle, complete, 1/2" longer than standard (Accessory for 305)	1.50
34L	Bail trip (305)	.25	52L	Trip lever (305)	.25	71	Handle knob screw for #70 and #70L handles	.15
35	Trip washer	.05	53	Trip lever spring	.10	73	Click spring	.10
36*	Shims to adjust rotating head (set of 3)	.05	54	Bail (304)	2.75	85	Handle shank for #70 handle (304)	1.25
37	Bail screw #2	.15	54L	Bail (305)	2.75	85L	Handle shank for #70L handle (305)	1.25
38	Rotating head (304)	3.25	55	Bail screw #1	.20	94	Handle shank for #60 handle (304)	.75
38L	Rotating head (305)	3.25	56	Line guide	.25	94L	Handle shank for #60L handle (305)	.75
39	Housing (304)	3.75	57	Line guide screw	.10	9104	Spool, complete, large capacity	2.00
39L	Housing (305)	3.75	58	Bail spring (304)	.10	9105	Spool, complete, small capacity	2.00
40	Lubrication cover screw	.10	58L	Bail spring (305)	.10	9106	Spool, complete, ultra-small capacity	2.00
43	Driving gear (304)	2.00	59	Handle spacer	.05	9213	Manual pick-up (304 only)	1.50
43L	Driving gear (305)	2.00	60	Handle, complete (304)	1.00			
44	Cam spring screw	.05	60L	Handle, complete (305)	1.00			
45	Cam spring	.10	61	Handle knob screw for #60 and #60L handles	.15			
46	Anti-reverse dog	.15	62	Handle knob for #60 & #70 handles	.15			
47	Anti-reverse spring (304)	.10	62L	Handle knob for #60L & #70L handles	.15			
47L	Anti-reverse spring (305)	.10	63	Slide	.15			
49	Cover plate (304)	2.00						

*Use only the number of shims necessary for smoothest operation.



THE GARCIA CORPORATION • ALFRED AVENUE • TEANECK • NEW JERSEY